

⊕ SIGNS BY BENCHMARK

Changing the way you look at signs.



*State-of-the-Art
Architectural Signs and Accents*

About Signs By Benchmark

Signs By Benchmark is the industry's only composite-sign manufacturer that controls the sign making process from molding to finishing. We fabricate interior and exterior signs that are strong, yet lightweight. They are cut and shaped into designs almost impossible to create from traditional materials – all at a fraction of the cost.

How it Works

- Expanded polystyrene (EPS) foam is molded into block form
- Blocks are precision cut to customer specifications
- Signs are hand assembled and sculpted to match any design
- Constructed signs are covered with polyurea hard coat for exceptional durability and strength with no unsightly seams or exposed fasteners
- Coated signs are primed and finished in a variety of top coats

Durability

Architecturally pleasing signs that will not rust or rot. Polyurea hard coat is formulated to withstand impact and extreme weather conditions, regardless of customer location.

- From -30 degrees F to well above 100 degrees F
- Ice, snow, wind and rain

Versatility

We provide alternatives to the traditional “monument” sign by offering custom exterior and interior signs with unique designs.

- Design your own or choose from one of our standard models
- Customize signs with an electronic message center (EMC) or UL-Approved illuminated cabinets
- Choose from direct or stud mounted lettering
- Add digital or vinyl graphics as an alternative to copy

Sign Components with Limitless Possibilities

Don't be limited by steel frame boundaries. Signs By Benchmark can create new sign structures or customize existing ones with architectural accents or decorative elements.

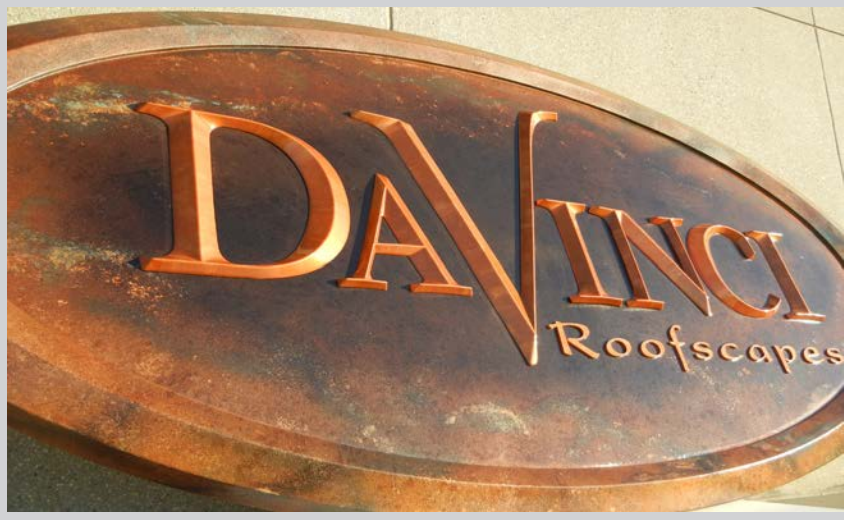
- Props & Accents
- 3D Accents
- Lettering
- Pediments



Interior Signs

From Point of Purchase (POP) displays to custom architectural designs, Signs By Benchmark's skilled artisans work closely with customers to create interior signs that express their client's unique needs and character.

- Wall Mounted
- Free Standing
- Suspended
- Lettering
- Theme Accents
- Trade Show Displays



Stud Mount Lettering

A cost effective alternative to standard formed plastic or cast letters is stud mount lettering from Signs By Benchmark. The almost unlimited use of our signature hard-coated lettering offers customizing capabilities from 1/2 inch to 10 feet thick with height limited only by shipping restrictions. Designed to withstand outdoor elements, stud mount lettering is durable, yet attractive and ideal for advertising in high traffic areas.



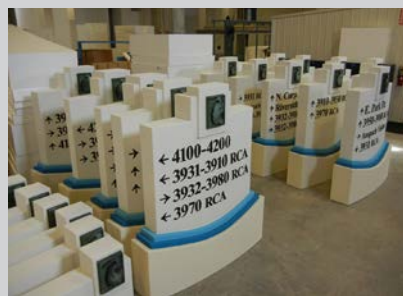
Exterior Signs

Signs By Benchmark specializes in providing a wide variety of design choices. The flexibility of our medium allows our customers to create a one-of-a-kind sign that is not easily achieved with traditional materials. Submit your own design, customize one of our standard models or work with our experienced designers to achieve distinctively unique signage.

- Monuments
- Pylon signs
- Projecting signs
- Wall-mounted signs
- Integrated signs
- Custom props



Simultaneously creating multiples of a sign design is standard practice at Signs By Benchmark. Multiple runs without tooling costs are no problem. Our manufacturing process easily allows for creation of unlimited duplicates of a sign design.



Pole Covers/Toppers/Bases

Achieve a striking resemblance to an existing structure at a fraction of the cost. Eliminate the need for subcontractors, such as stone masons, by having Signs By Benchmark match any stone, brick or stucco pattern you desire. Our manufacturing process allows us to create exclusive components that are not readily affordable or available through traditional mediums. Help your customers exhibit their individual style with our custom accents such as:

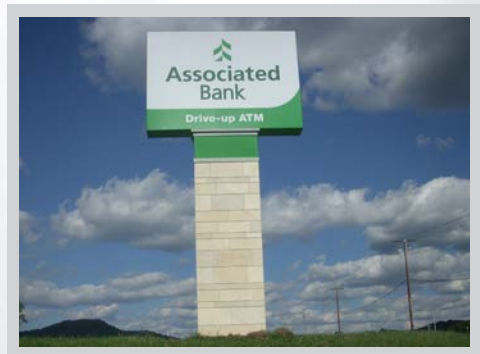
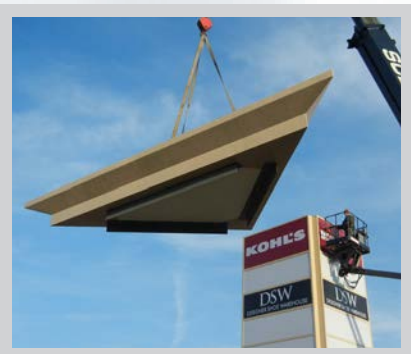
- Sign Toppers
- Sign Bases
- Pole Covers

"We chose Signs By Benchmark because we wanted to be able to install the sign without having to deal with elements we couldn't control – like masonry. We wanted to walk away from the install, leaving a completely finished project."

-Daryl Kirt of Scenic Sign Corp.



Make installation a breeze with Signs By Benchmark products that are flawlessly placed over pole assemblies. Our sign toppers are fabricated in one-piece monolithic sizes that when produced with complicated metal pieces, arrive in multiple sections.



Integration

The Signs By Benchmark team is experienced with accommodating many different integration features in their composite signs and accents. Whether your design calls for an electronic message center (EMC) surround or a coordinating base or topper to support an illuminated cabinet, trust that your needs will be met in a simplified package.



When signage requires more complex integration features such as reverse lit channel letters or solar power illumination, our team can help create the design that will eliminate unnecessary problems during installation.

"Signs By Benchmark has a very good understanding of the processes involved in integrating other sign elements, such as lighted cabinets, into their product. The entire process went very smooth."

- Mike Holman, owner, Beaverton Signs & Graphics



"When our clients are looking to make big impact in their marketing we always think of Signs by Benchmark. The large dimensions, durability and versatility that they offer allows us to offer innovative solutions.

One of our founding principles is "to lift up it's people so we can lift up our community" and Benchmark products really hits the mark when it comes to landmark-type advertising signs and lifting up a community. Social media is a part of our everyday life and clients are capitalizing on "selfie" signs that encourage the public to take and post pictures with the signs. Midtown Signs has utilized Benchmark to do several of these types of signs, but the "Together Wichita" sign is by far the largest we have done to date.

Fully assembled the sign is over 10' tall and just shy of 30' long. The word Wichita is over 7' tall by it's self. It is a very impressive and the fact that it is durable enough to withstand the public interaction with the sign is a testament to the quality of Benchmark products.

When Midtown Signs is looking to 'leave a project better than when we found it,' we are always comfortable partnering with Signs by Benchmark."
- Tiffanni Sanstra, Midtown Signs



Close Encounters

Signs By Benchmark had a close encounter with a 26 foot tall alien. The giant green man was created in partnership with Persona Signs for

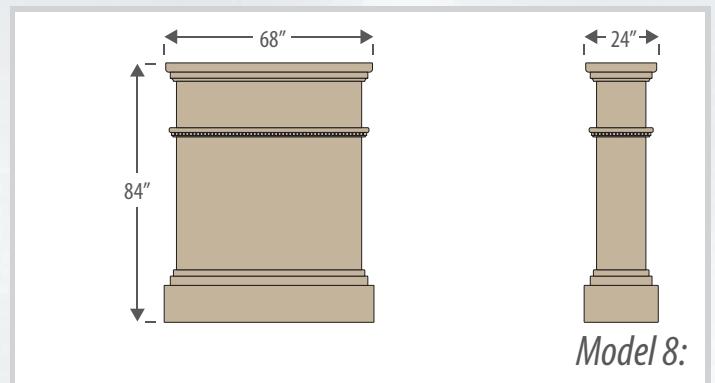
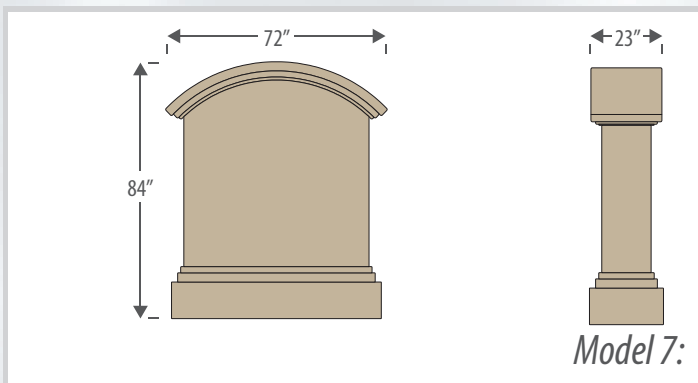
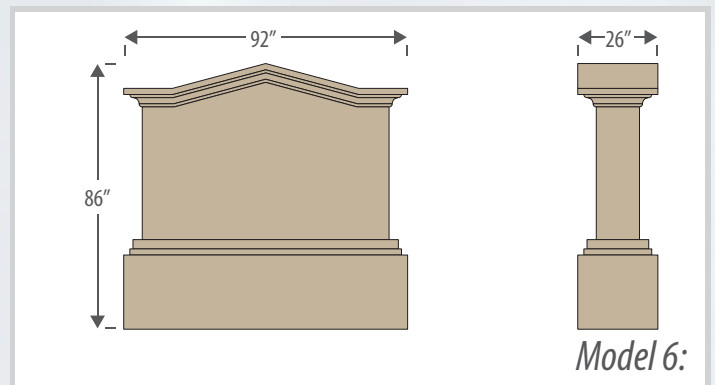
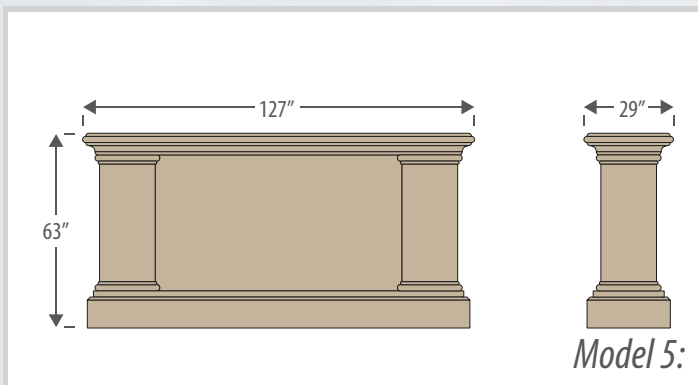
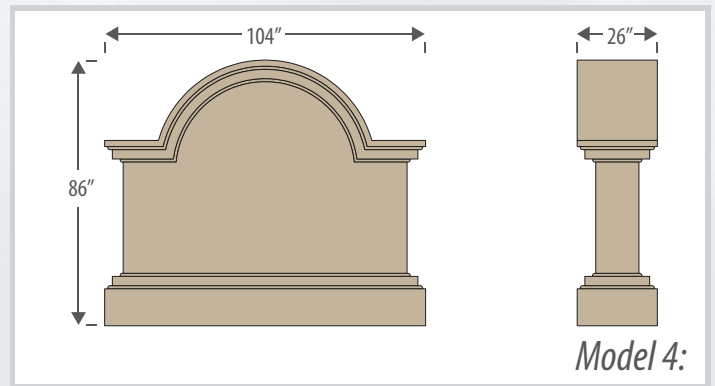
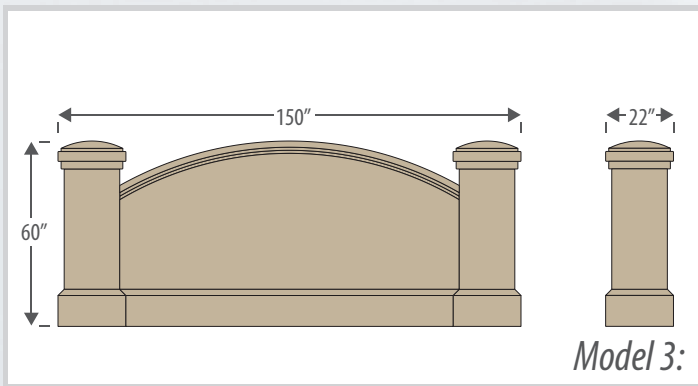
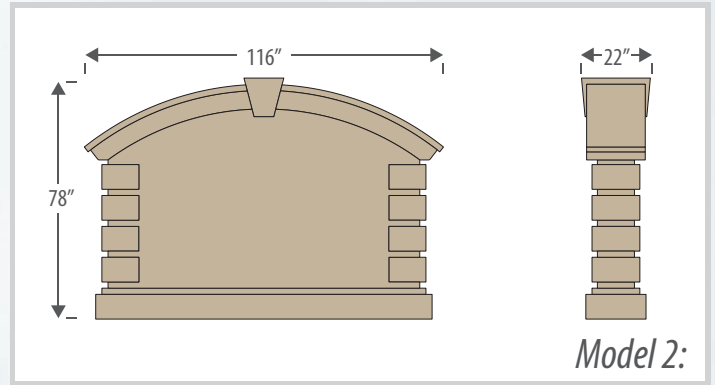
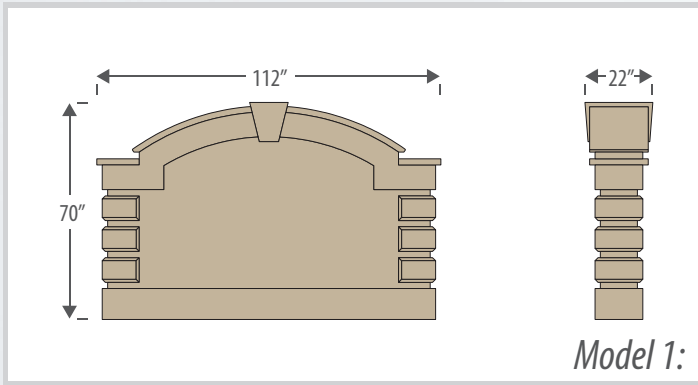


a Dunkin' Donuts location in Roswell, N.M., infamous location of UFO sightings in 1947. Aliens may come from the

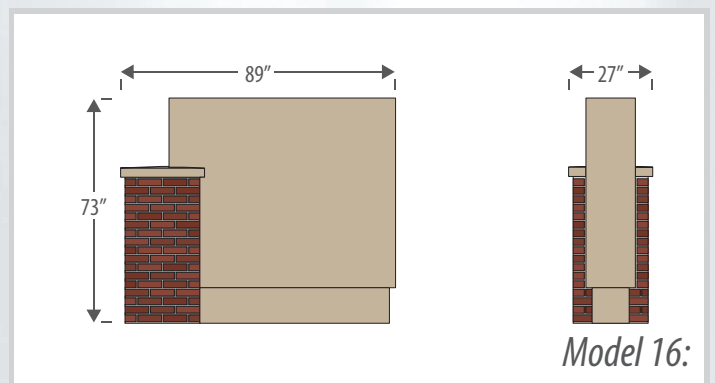
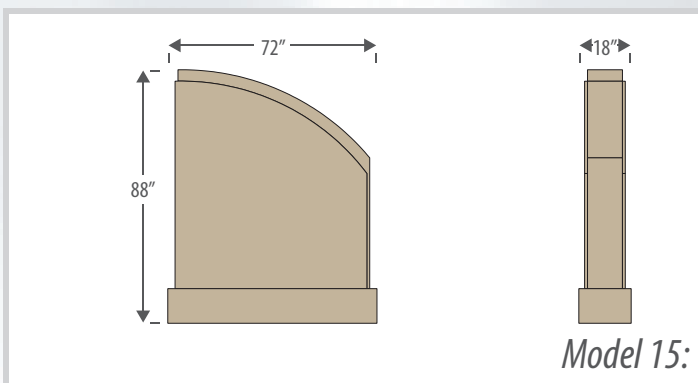
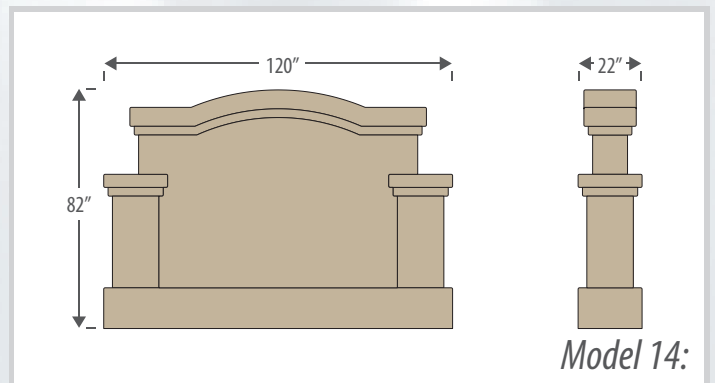
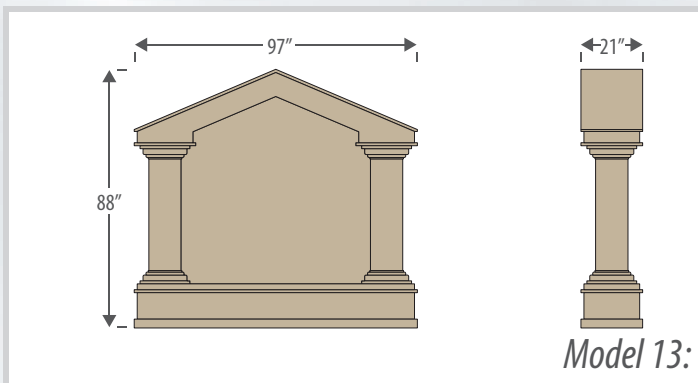
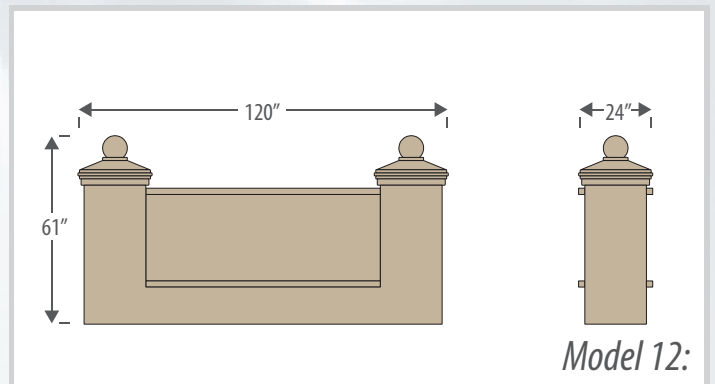
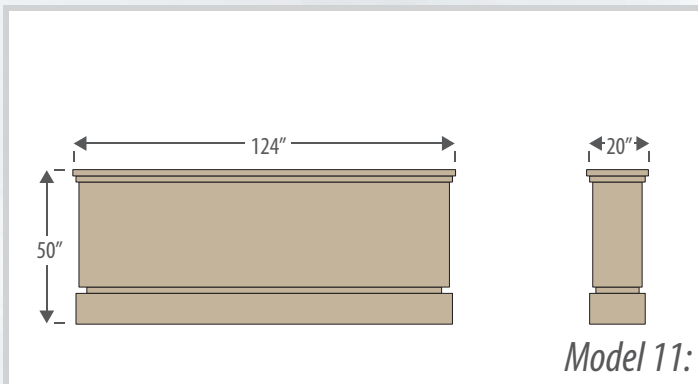
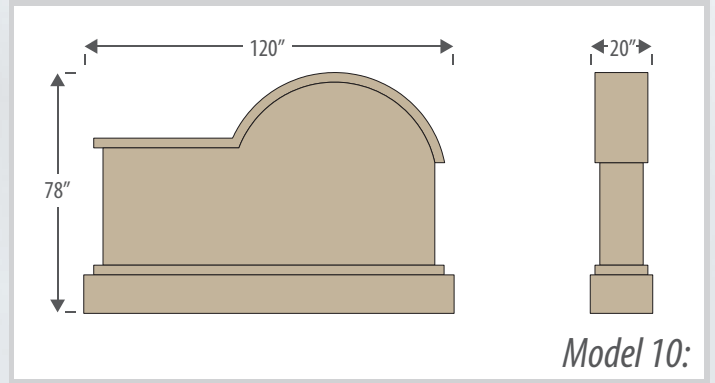
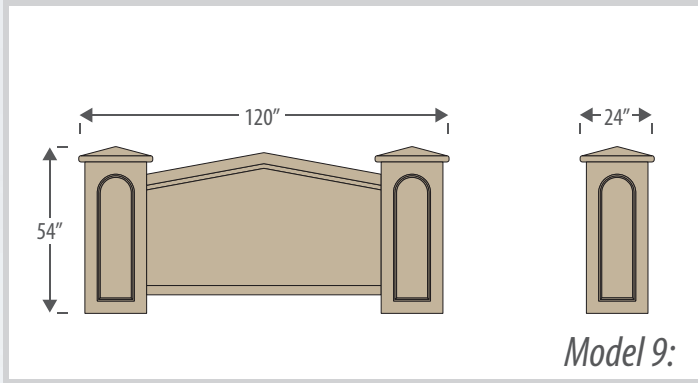
far outer reaches of space, but in our shop, space is limited. With a steel internal structure provided by Persona, the production staff had to get creative to be able to build the foam body of the alien in one piece. The general shape was cut by CNC hot wire, however the majority of the shaping was done by hand. A temporary coating and paint booth had to be set up to accommodate the large extra-terrestrial. People may or may not believe in aliens, but Signs By Benchmark is very proud to have helped land this one in Roswell.



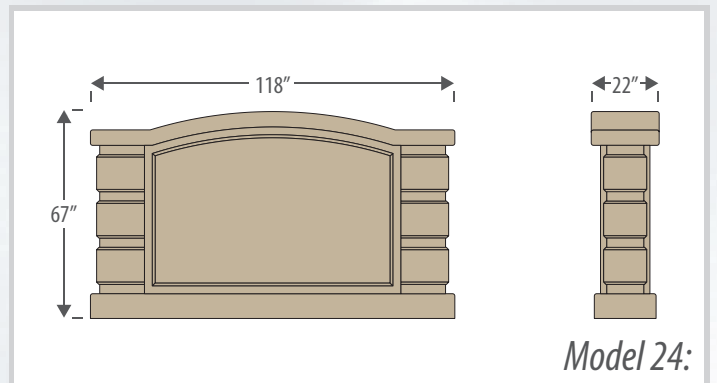
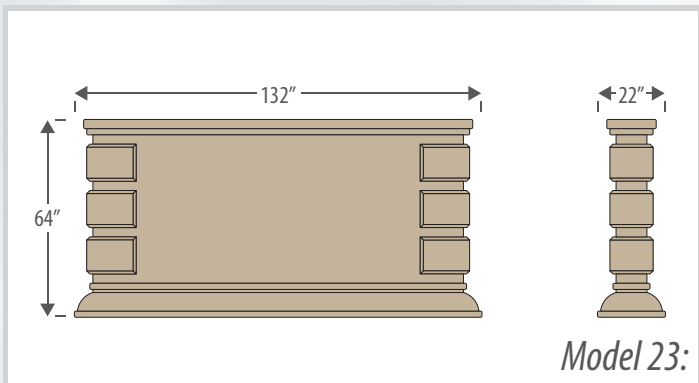
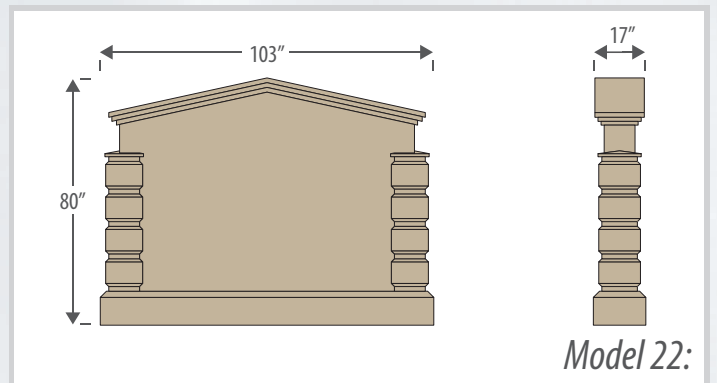
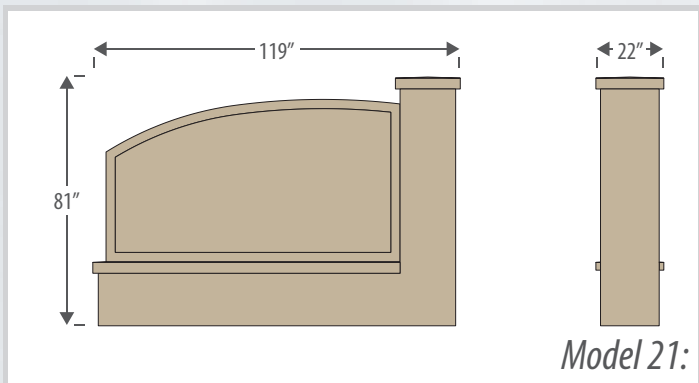
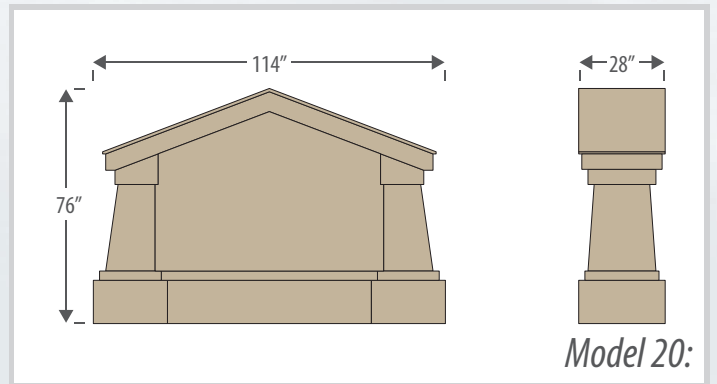
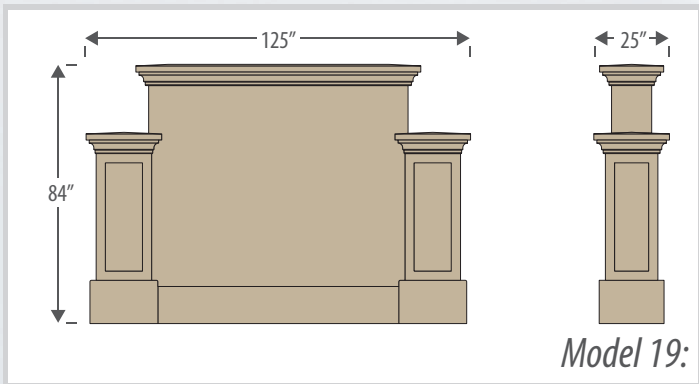
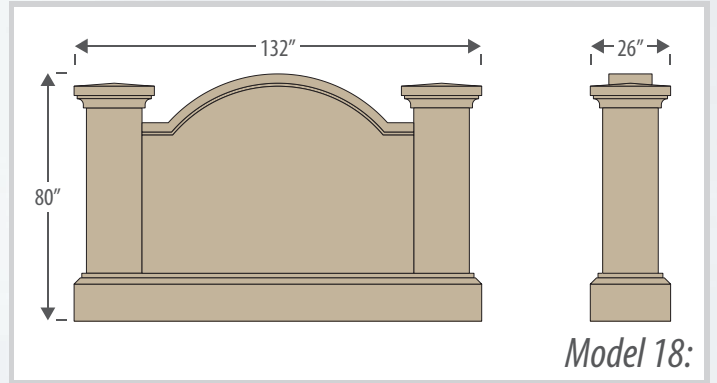
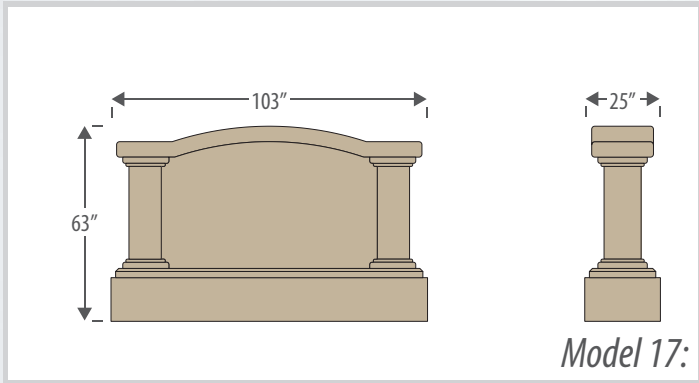
Standard Models



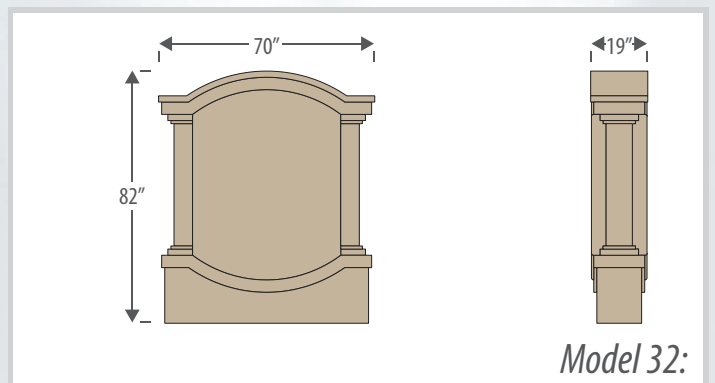
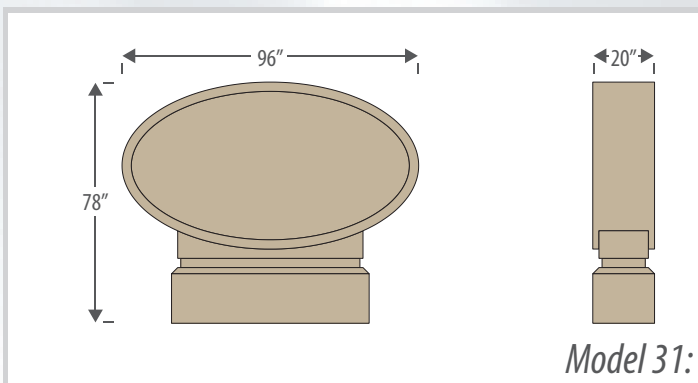
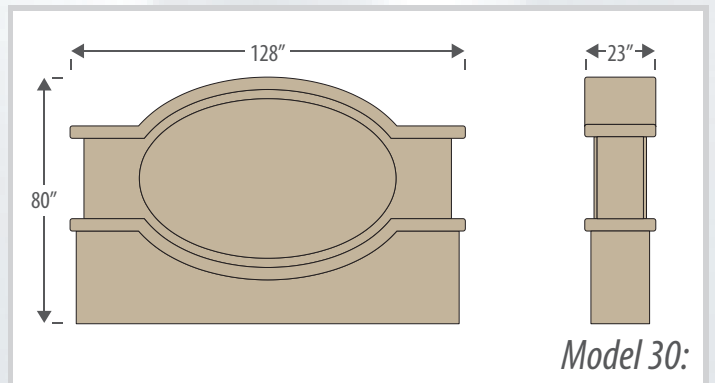
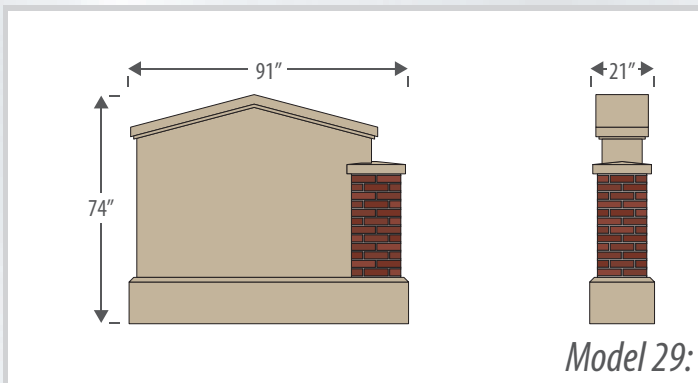
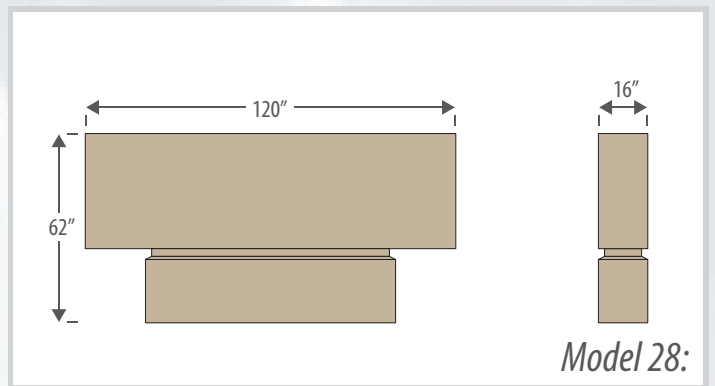
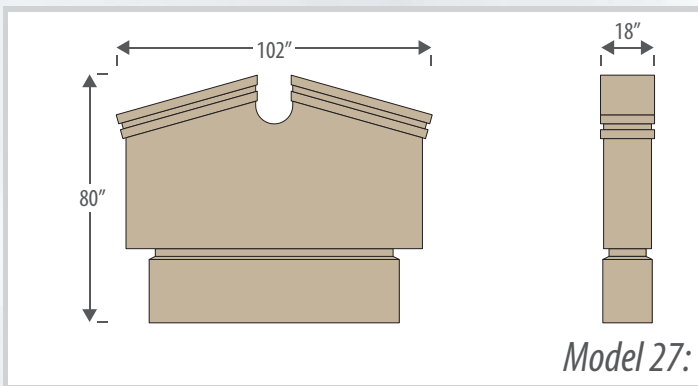
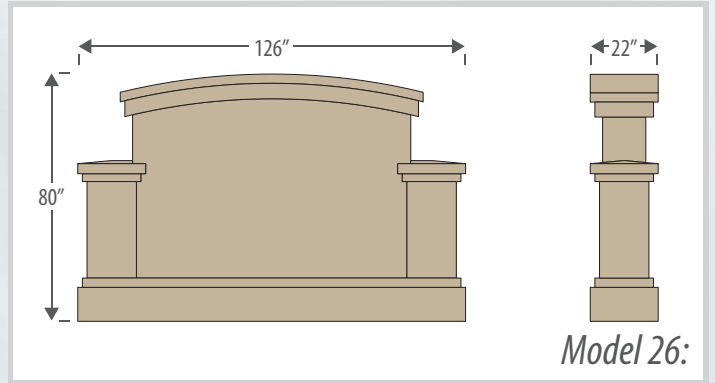
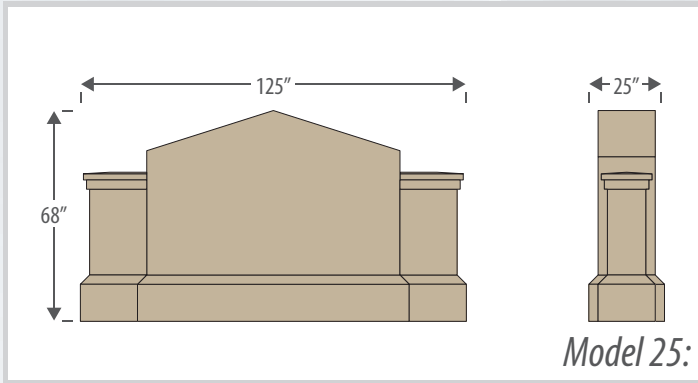
Standard Models



Standard Models

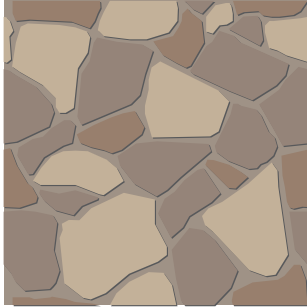


Standard Models



Standard Stone

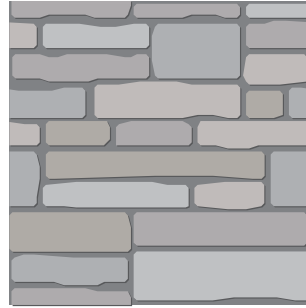
Offering 12 standard stone and 3 standard brick profiles, Signs By Benchmark can enhance architectural designs with its standard and custom finishes. Perfecting the creation of its faux stone and brick for more than 20 years, our team can also match existing buildings and structures. Trust the experienced Signs By Benchmark team to create the perfect finish for your next project.



Flagstone

Available in:
Canyon
Sienna
Silvermist
Driftwood

**shown in Sienna*



Villa Stone

Available in:
Canyon
Sienna
Silvermist
Driftwood

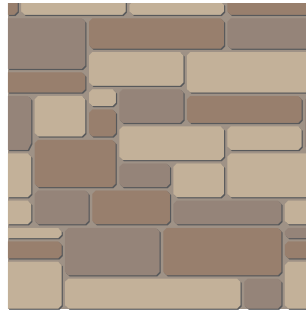
**shown in Silvermist*



Ridge Stone

Available in:
Canyon
Sienna
Silvermist
Driftwood

**shown in Driftwood*



Limestone

Available in:
Canyon
Sienna
Silvermist
Driftwood

**shown in Sienna*



Castle Rock

Available in:
Canyon
Sienna
Silvermist
Driftwood

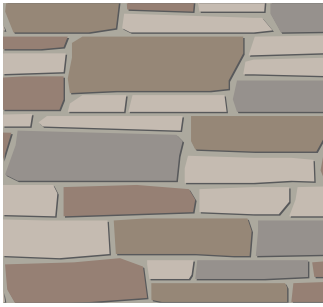
**shown in Silvermist*



Field Ledge

Available in:
Canyon
Sienna
Silvermist
Driftwood

**shown in Canyon*



Ledge Stone

Available in:
Canyon
Sienna
Silvermist
Driftwood

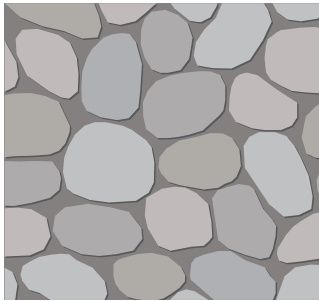
**shown in Canyon*



Country Rubble

Available in:
Canyon
Sienna
Silvermist
Driftwood

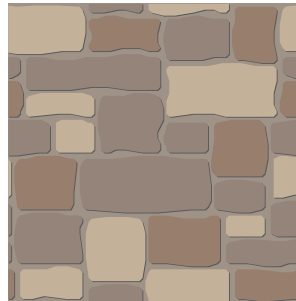
**shown in Driftwood*



River Rock

Available in:
Canyon
Sienna
Silvermist
Driftwood

**shown in Silvermist*



Cobble Stone

Available in:
Canyon
Sienna
Silvermist
Driftwood

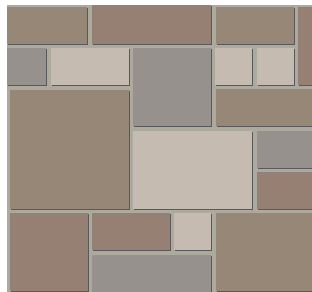
**shown in Sienna*



Stacked Stone

Available in:
Canyon
Sienna
Silvermist
Driftwood

**shown in Driftwood*



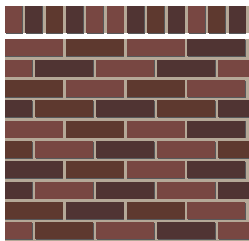
Stone Tile

Available in:
Canyon
Sienna
Silvermist
Driftwood

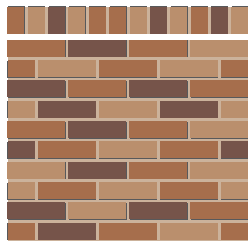
**shown in Canyon*

Standard Brick

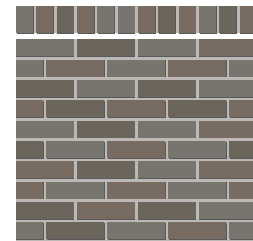
Cardinal Red



Terracotta



Iron Gray



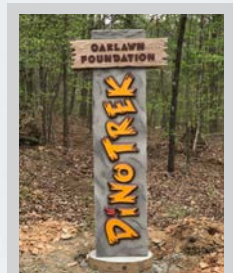
Custom Finishes

For more than 20 years, Signs By Benchmark has been perfecting the creation of acrylic stucco EIFS (Exterior Insulation Finishing Systems) finishes. We can be relied on to match existing elements or design realistic replications such as:

- Brick
- Stone
- Concrete
- Granite
- Stucco
- Woodgrain

"The EIFS brick is phenomenal. The work that Signs By Benchmark does, from concept through finish is exceptional."

- Shane Steinmetz, owner, S&J Associates



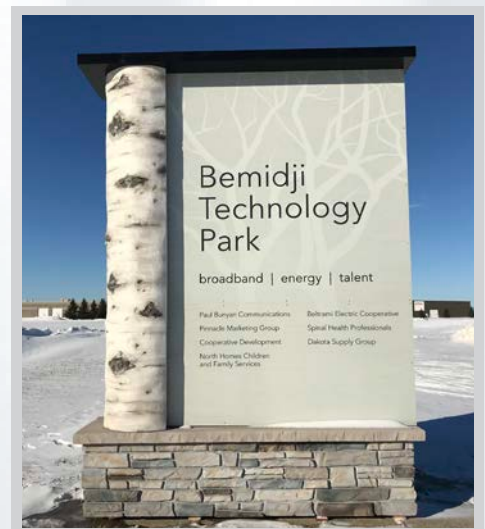
Woodgrain Replicates

Signs By Benchmark now offers Woodgrain Replicates in a variety of styles and colors, including custom orders. Using its proprietary expanded polystyrene (EPS) foam as the substrate, Woodgrain Replicates can be finished to match virtually any wood texture.

- Available in blank panels, accent piece or fully finished, turnkey signage
- Indoor and outdoor applications
- Easily installed and maintained
- Lightweight
- Will not rot or degrade



Signs By Benchmark has taken great strides in its ability to replicate virtually any wood texture from hewn logs, birch tree bark, sliced tree trunks and many more. Striving to find additional applications and finishing techniques allows Signs By Benchmark to create an ever-evolving product lineup.



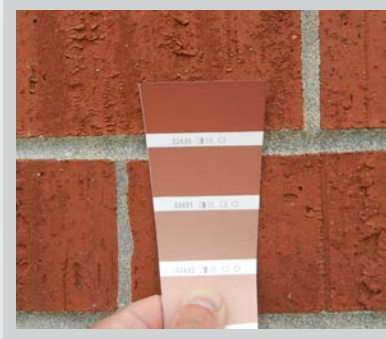
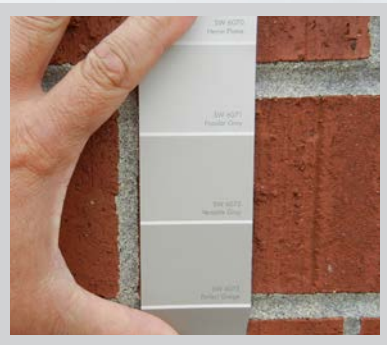
1.800.658.3444 • 605.886.8084

Color Matching

Matching new signage to existing buildings is easily accomplished in a few quick steps:

- First obtain high quality digital photos matching paint chips set against existing building elements. Recommended paint decks include *Sherwin Williams*, *Benjamin Moore* or *Uncoated Pantone*.
- Supply any brick, stone and grout measurements to allow for a precise match.

Trust the experienced Signs By Benchmark team to create the perfect match to original finishes.



Architectural Accents

Enhance structures and entrances with architectural accents, such as 3D components and custom sculptures. With a versatile expanded polystyrene (EPS) foam core, nearly any artwork can be replicated to make a statement. Each architectural accent is sprayed with our signature polyurea coating to ensure long-lasting durability. Upgrade your next project with a custom architectural accent from Signs By Benchmark.

